

READ AND SAVE THESE INSTRUCTIONS

WARNING! RISK OF ELECTRIC SHOCK

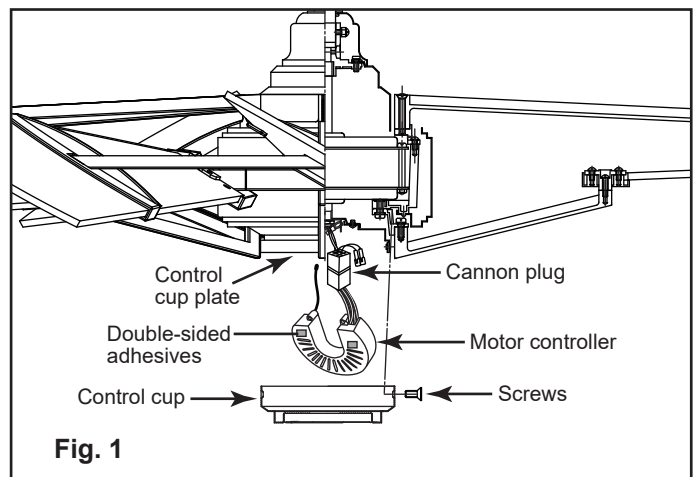
All electrical connections must be in accordance with local codes, ordinances, or national codes. If you are unfamiliar with methods of installing electrical wiring, secure the services of a qualified electrician.

Before starting installation, disconnect the power by turning off the circuit breaker or removing the fuse at fuse block. Turning power off using fan switch (speed control on/off) is not sufficient to prevent electrical shock.

NOTE: The important safeguards and instructions appearing in this manual are not meant to cover all possible conditions and situations that may occur. It must be understood that common sense, caution and care are factors which cannot be built into any product. These factors must be supplied by the person (s) caring for and operating the unit.

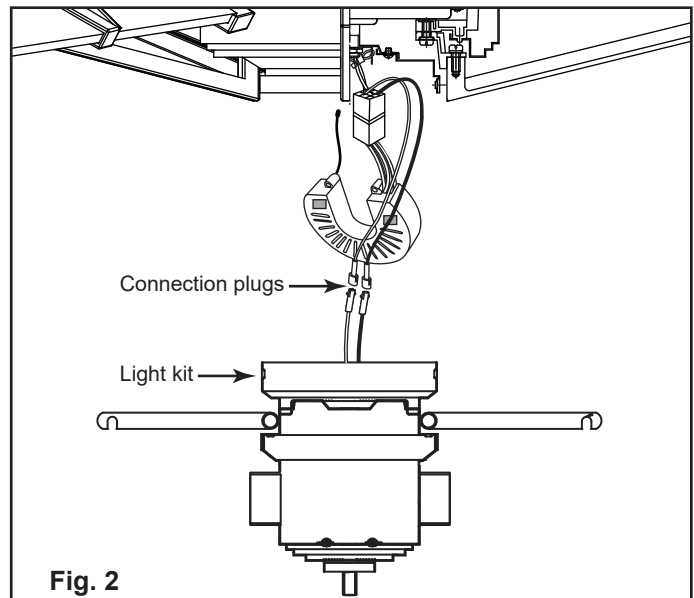
NOTE: This fan is equipped with a 75 Watt limiting device. If lamping exceeds 75 Watts, the ceiling fan's light kit will shut off automatically.

1. Remove the control cup from the control cup plate by remove the three screws on the control cup plate. Separate adhesives from control cup. (Fig. 1)



2. While holding the light kit under your fan motor assembly, locate two single white and blue wires in the control cup labeled "FOR LIGHT". Make the polarized plug connections: (Fig. 2)

- White to white
- Blue to black



3. Carefully push all wires and motor controller back into the control cup of the light kit (using the double-sided adhesive tape from controller), then install the light kit assembly onto the fan with the 3 screws provided. Be sure to tighten all screws. (Fig.3)

4. Install 3 x 6W LED bulbs (included).

5. Remove the decorative nut, metal nut and rubber washer from the light kit. Place light frame over the light kit stem, secure with the rubber washer, metal nut (rubber side on the top) and decorative nut. Do not overtighten. (Fig. 3)

NOTE: Be sure the end of light frame **MUST** align and insert the slot on the light kit.

Restore power and your light kit is ready for operation.

